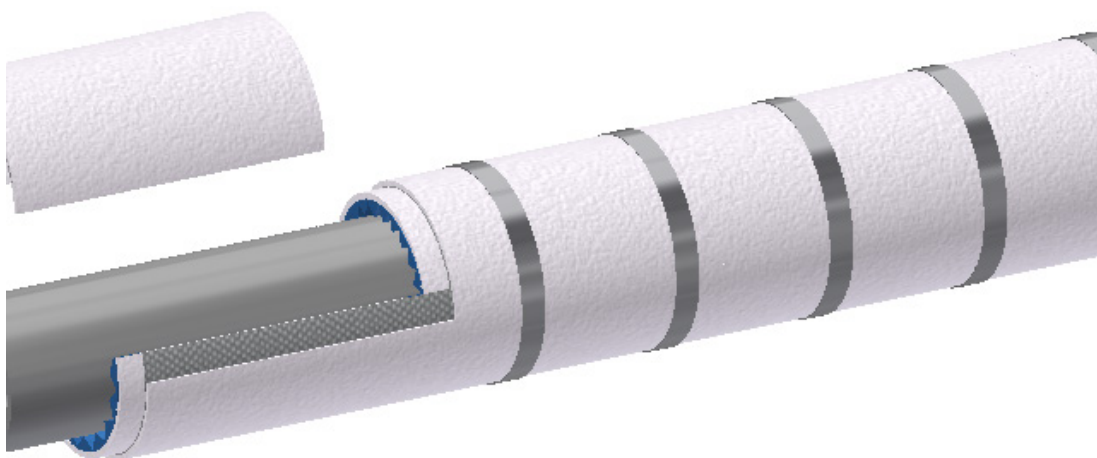
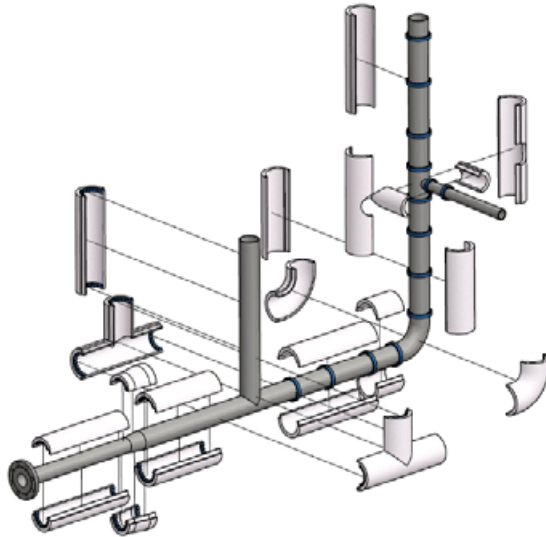


**Benarx Pipeshells is a fire protection product designed to offer the slimmest prefabricated fire-protection on the market together. The product achieves the fastest installation times, with the most accessible removability for inspection. The thin design of the product is specially developed to avoid clashes with nearby objects around the pipe. The product can be lined with insulation for additional thermal and acoustic insulation properties to be used for all insulation classes.**

The prefabricated design with superior mechanical properties, saves valuable installation time. The product allows for fast installation and disassembly where inspection and maintenance are required. The product is an extremely durable solution and resist mechanical impact, step-damages and shocks that would otherwise destroy traditional insulation. The product is also designed to resist the most harsh environments and climate-conditions.





Tested for HC-fire according to BS476-20 for up to 180 minutes

Tested for UL1709 rapid rise hydrocarbon fire for up to 120 minutes

Tested for jet-fire according to ISO 22899 for up to 180 minutes

HHF jetfire for up to 30 minutes

Certified and type-approved by Lloyds Register

Tested and certified for CSP (Cryogenic Spill Protection) for up to 60 minutes for both immersion-type and jet-type scenarios

Slim and low weight prefabricated design

High performance product thoroughly tested for explosion loads, ageing and exposure to harsh environments, and antistatic discharge properties

Low Life Cycle Cost, long life time, fast installation and easy removal for inspection

Delivered with non-metallic air-gap spacer design for mitigation of CUI on the pipe surface

Proven track record in the toughest conditions from the cold harsh arctic conditions to warm tropical climates



Passive Fire Protection



Thermal Insulation



Acoustic Insulation



CUI Detection